

## Meerkat

*Lightweight, Stable and Rugged High Performance Integrated Pan & Tilt Tripods*



**The Meerkat tripod** is a robust manual tripod / pan and tilt unit designed to support and control the line of sight of thermal imagers, night vision equipment, video and still cameras and other optical equipment.

The primary design objective of Meerkat was to minimise size and weight to produce a support system that was truly man portable with minimum effort.

The Meerkat tripod is available in a range of sizes between 16 and 150cm working height and of either aluminium or composite material construction.

The Meerkat features independent adjustment of leg angle and length to provide great versatility in use and high levels of stability on many different surfaces.

The pan and tilt facility, with a precision quick release interface or standard 1/4" or 3/8" camera interface, enables smooth controlled movement of the mounted payload in azimuth and elevation. Independent axis brakes enable the payload line of sight to be locked in any position.

## Applications

- Thermal / night vision equipment support
- Multifunction binocular support
- Laser rangefinder / designator support
- Telescope and binocular support
- Communications antenna support
- Scientific instrument support

# Meerkat

## *Lightweight, Stable and Rugged High Performance Integrated Pan & Tilt Tripods*

### Key features

- Combined lightweight tripod with pan and tilt capability
- Short stowed length
- Independently adjustable leg angle and length (telescopic)
- 10kg nominal payload\*
- Very lightweight - truly man portable
- Independent brakes for pan and tilt
- Standard 1/4" or 3/8" camera interface or quick release interface versions available
- DMC compatible
- Expandable - Payload adapters are available to suit most payloads
- Rugged and durable, easy to use and deploy
- Ground anchor capability via optional foot plate and pin set



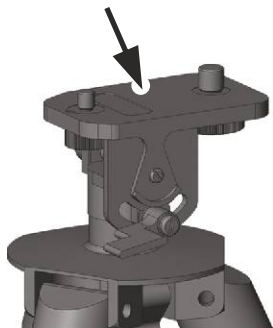
### Options

- Tripod height
- Azimuth scale ring with vernier
- Custom payload adapter assemblies

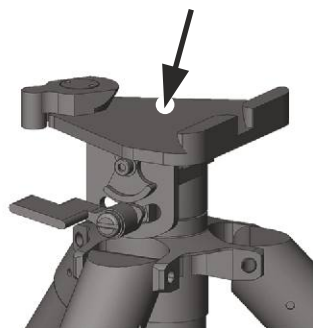
### Accessories

- Azimuth scale ring with vernier
- Generic interface adapters
- Dual payload adapter
- Carry bags
- Footplate and pin sets

Camera interface  
(3/8 & 1/4 thread)



Quick release interface  
(requiring payload adapter)



\*Depends on weight distribution



### Instro Precision Limited

Tel : + 44 (0) 1843 604455 Fax : + 44 (0) 1843 864143  
Email : [marketing@instro.com](mailto:marketing@instro.com) Web : [www.instro.com](http://www.instro.com)